



1855 Industrial Blvd., Laval Qc Canada H7S 1P5  
Tel.: (450) 668-3113  
WATS: 1-800-300-3113  
www.bomon.com

### Window Installation

#### With your window you have received:

- 1) Roll(s) of neoprene seal (1/8"x3/8" white covered)
- 2) 2 trim install aids (identical to trim, but 2" wide)
- 3) Condensation dams with double sided tape 1/16"x3/8" blue covered (sliding windows only)

#### You will need:

- 1) #8 SS self-tapping screws (for length see page 2, if in doubt, call us)
- 2) battery powered screw driver (set clutch initially low)
- 3) Ordinary screwdriver to torque all screws evenly

#### Actual installation:

Make sure that the surface of the hull outside the opening is undamaged, smooth and clean. Remove trim-ring from the frame (**do not use the screws used during transport for actual installation**) and dry-fit window in opening, make sure inside of frame fits into opening and does not bind.

Remove window and install neoprene seal on flange of window frame. Joint of seal should be on bottom of window, with joint angled between 45-60 degrees.

Insert window in opening and secure with masking tape or have someone hold it in place till secured from inside by using the small trim pieces supplied. Locate small trim pieces slightly offset from center where half trim-rings will meet.

Insert one half trim-ring into the frame, fasten with screws but do not tighten. Remove small trim pieces that secured the frame at first and install second half trim ring in same manner as first one.

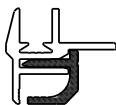
Tighten all screws evenly until neoprene seal is fully compressed. Make sure all screws are equally hand-tight.



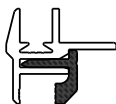
1855 Industrial Blvd., Laval Qc Canada H7S 1P5  
Tel.: (450) 668-3113  
WATS: 1-800-300-3113  
www.bomon.com

The #8 SS selftapping screws needed for installation are not supplied because of variance in wall thickness. Only the installer can determine the actual screw length needed. The screw length is determined by a combination of the trim ring used and the actual wall thickness.

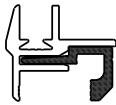
Example: Your wall thickness is 3/16" and windows are supplied with trim ring #1( See below ) screw length is 3/16" + 1/2" = 11/16". Install with 5/8" or 11/16" screws (if you can find).

- 1)  1/8" >< 5/8" (3mm >< 16mm)  
Screw length = wall thickness + 1/2" (13mm)

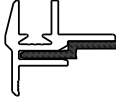
---

- 2)  1/2" >< 1" (13mm >< 25mm)  
Screw length = wall thickness + 1/4" (6mm)

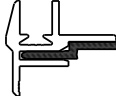
---

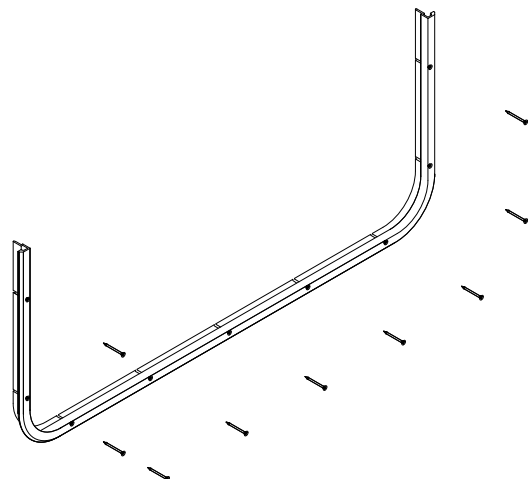
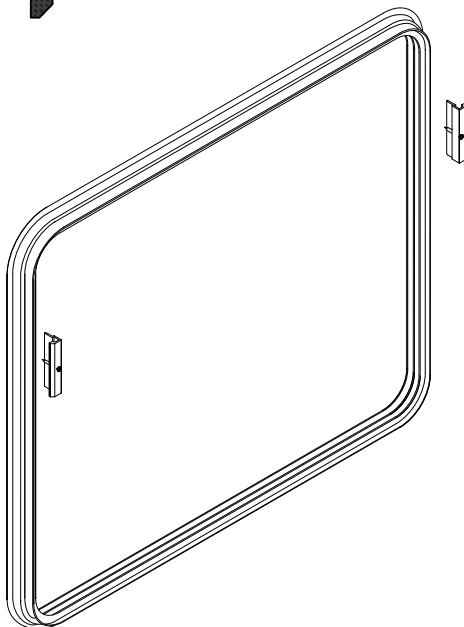
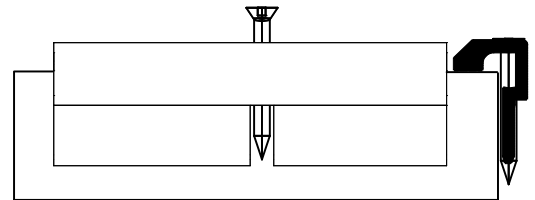
- 3)  1" >< 1-1/2" (25mm >< 38mm)  
Screw length = wall thickness + 1/4" (6mm)

---

- 4)  1-1/2" >< 2" (38mm >< 50mm)  
Screw length = wall thickness + 1/4" (6mm)

---

- 5)  2" >< 2-1/2" (50mm >< 63mm)  
Screw length = wall thickness + 1/4" (6mm)





1855 Industrial Blvd., Laval Qc Canada H7S 1P5  
Tel.: (450) 668-3113  
WATS: 1-800-300-3113  
www.bomon.com

## Condensation dam installation diagram

