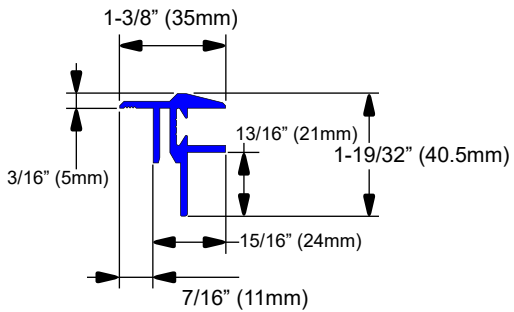


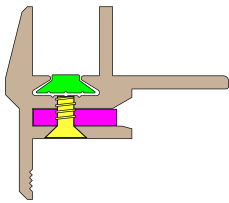
# Clamp type fixed window

## Screw length guide

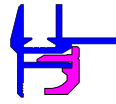
### Principal dimensions



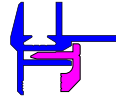
### Connection assembly



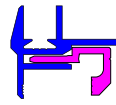
1/8" >< 5/8" (3mm >< 16mm)  
Screw length = wall thickness + 1/2" (13mm)



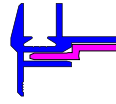
1/4" >< 3/4" (6mm >< 19mm)  
Screw length = wall thickness + 1/2" (13mm)



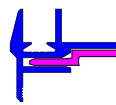
1/2" >< 1" (13mm >< 25mm)  
Screw length = wall thickness + 1/4" (6mm)



1" >< 1-1/2" (25mm >< 38mm)  
Screw length = wall thickness + 1/4" (6mm)



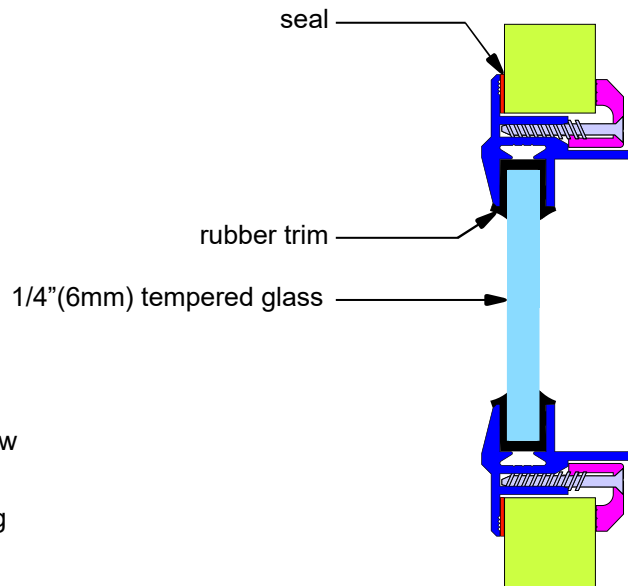
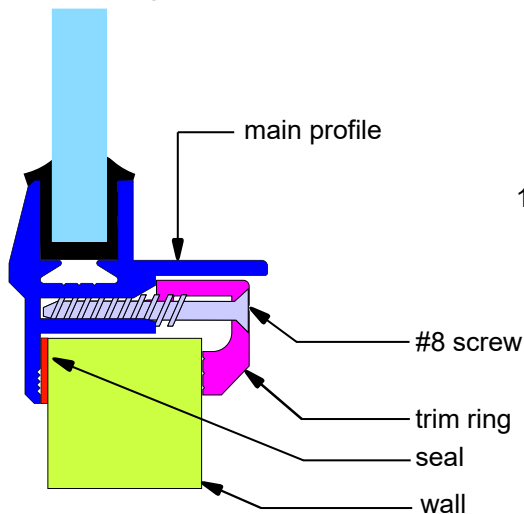
1-1/2" >< 2" (38mm >< 50mm)  
Screw length = wall thickness + 1/4" (6mm)



2" >< 2-1/2" (50mm >< 63mm)  
Screw length = wall thickness + 1/4" (6mm)

## Construction details

### Clamping details



### Information datasheet #1 Clamp-type fixed window



1855 industrial blvd  
Laval, Qc, H7S 1P5  
Canada  
Tel.: (450) 668-3113  
ATS: 1-800-300-3113  
www.bomon.com